



Data Sheet

Inkjet Head L1440

1. MACH Technology

MACH (Multi-Layer ACtuator Head) technology can realize high precision and high density (360npi / 2rows).

2. Miniaturization

Possible to arrange the printhead width direction in a miniaturization manner when using a staggered arrangement.

3. Support for grey-scale

Epson's unique Variable Sized Droplet Technology (VSDT) delivers smooth gradation by freely control to eject the droplet volume.

4. Multi-colours

Ink ejection with 4 colours at 360 dpi/colour or 8 colours at 180 dpi/colour is possible.

5. High durability

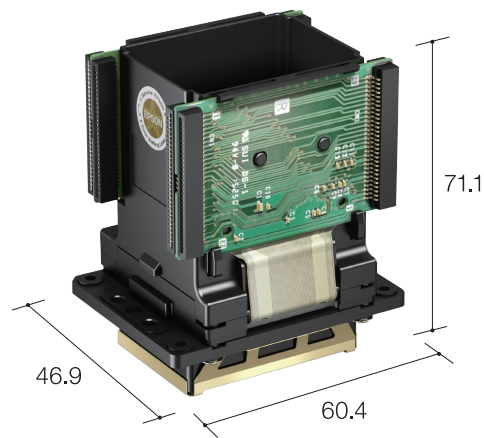
Micro Piezo print head has proven high durability and extended service life by Epson's industrial printers.

Product Specifications

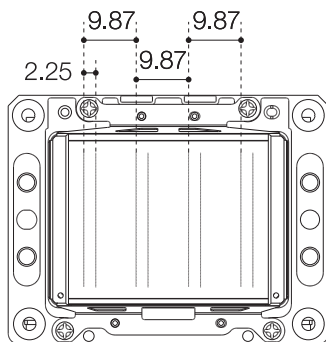
Product name		L1440-U2	L1440-A1
Ink type		UV/ Eco Solvent	Aqueous
Type		MACH (Multi Layer ACTuator Head)	
Width x Depth x Height		60.4 x 46.9 x 71.1 mm	
Weight		97 g	
Number of nozzle		1440	
Nozzle pitch/ nozzle row		1/180 inch	
Nozzle rows		8 rows	
Nozzle Resolution		180 npi/row 360 npi/2 rows	
Max. number of colour inks		8 colours	
Effective print width		25.4 mm (1 inch)	
Droplet ejection performance	Binary	10 pl at 40 kHz	9.2 pl at 46.4 kHz
	4 levels greyscale	4.5, 10, 19pl at 20 kHz	3.4, 9.2, 16pl at 23.2 kHz
Viscosity range		6-8 mPa·s	
Positioning Mechanism		Reference hole	

※ Epson's unique waveform design allows for a variety of greyscale and droplet size combinations.

Product size (mm)



Nozzle (mm)



External dimensions (mm)

