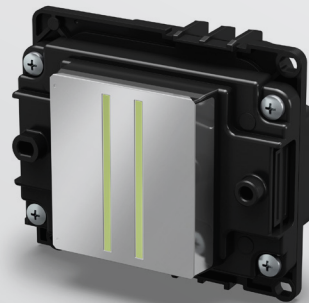


I3200



I1600

Data Sheet Inkjet Head I Series



PRECISION**CORE**

1. PrecisionCore Technology

- a. MEMS manufacturing and thin-film piezo element can realize high precision and high density (600 npi /2 rows of nozzles). Contributes to compact, high speed, and high image quality.
- b. Precision made of Epson unique MEMS nozzles and an ink flow path ensure the perfectly round ink droplets are placed accurately and consistently.

2. Support for greyscale

Epson's unique Variable Sized Droplet Technology (VSDT) delivers smooth gradation by freely control to eject the droplet volume.

3. High resolution

Ink ejection of up to 4 colours realizes with high resolution (600 dpi/colour). In addition to the I3200, I1600 has also been added to the lineup to meet various customers' needs.

4. High durability

PrecisionCore print head has proven high durability and extended service life by Epson's industrial printers.

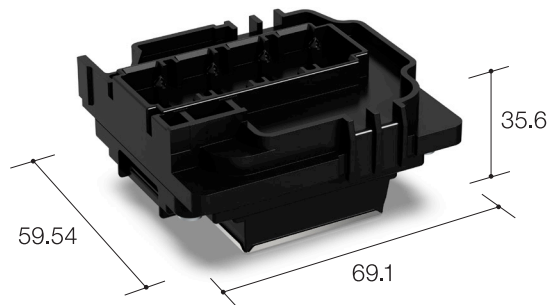
Product Specifications

Product name		I3200(4)-U1	I3200(4)-E1	I3200(4)-A1	I1600-U1	I1600-E1	I1600-A1				
Ink type		UV / Eco Solvent			Aqueous		UV / Eco Solvent		Aqueous		
Type		PrecisionCore MicroTFP printhead									
Width x Depth x Height		69.1 x 59.54 x 35.6 mm									
Weight		82 g				80 g					
Number of nozzle		3200				1600					
Nozzle pitch / nozzle row		1/300 inch									
Nozzle rows		8 rows				4 rows					
Nozzle Resolution		300 npi/row 600 npi/2 rows									
Max. number of colour inks		4 colours									
Effective print width		33.8 mm (1.33 inches)									
Droplet ejection performance	Binary	5 plat 43.2 kHz			6 plat 43.2 kHz			5 plat 43.2 kHz		6 plat 43.2 kHz	
	3 levels grey scale	6, 12.5 pl at 21.6 kHz			6.3, 12.3 pl at 21.6 kHz			6, 12.5 pl at 21.6 kHz		6.3, 12.3 pl at 21.6 kHz	
	4 levels grey scale	3.8, 6.2, 9.3 pl at 21.6 kHz		3.8, 5.5, 8.7 pl at 21.6 kHz		3.8, 6.1, 9.4 pl at 21.6 kHz		3.8, 6.2, 9.3 pl at 21.6 kHz		3.8, 5.5, 8.7 pl at 21.6 kHz	
Viscosity range		5-7 mPa·s		3-4 mPa·s		5-7 mPa·s		3-4 mPa·s			
Positioning Mechanism		Reference hole									

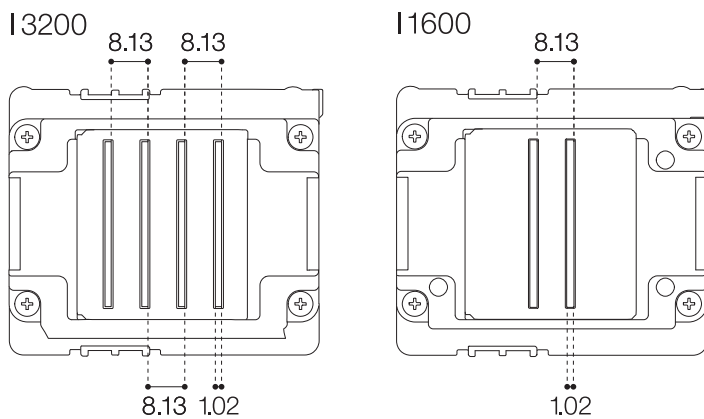
* Epson's unique waveform design allows for a variety of greyscale and droplet size combinations.

Product size (mm)

I3200 / I1600



Nozzle (mm)



External dimensions (mm)

