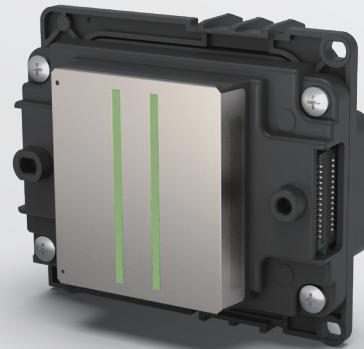


I3200(4)



I1600

Data Sheet Inkjet Head I3200(4)/I1600 Series



PRECISION**CORE**

1. PrecisionCore Technology

- a. MEMS manufacturing and thin film piezo technology enable high precision and a high nozzle density, creating compact, high-speed, high-quality print heads with excellent image quality.
- b. Epson's unique precision MEMS nozzles and ink flow path, ensure that perfectly round ink droplets are placed accurately and consistently.

2. Support for greyscale

Epson's unique Variable Sized Droplet Technology (VSDT) delivers smooth graduations by ejecting droplets of different volumes.

3. High resolution

Ink ejection of up to 4 colours realizes with high resolution (600 dpi/colour). In addition to the I3200, I1600 has also been added to the lineup to meet various customers' needs.

4. High durability

PrecisionCore print heads have proven durability and extended service life demonstrated by Epson's own industrial printers.

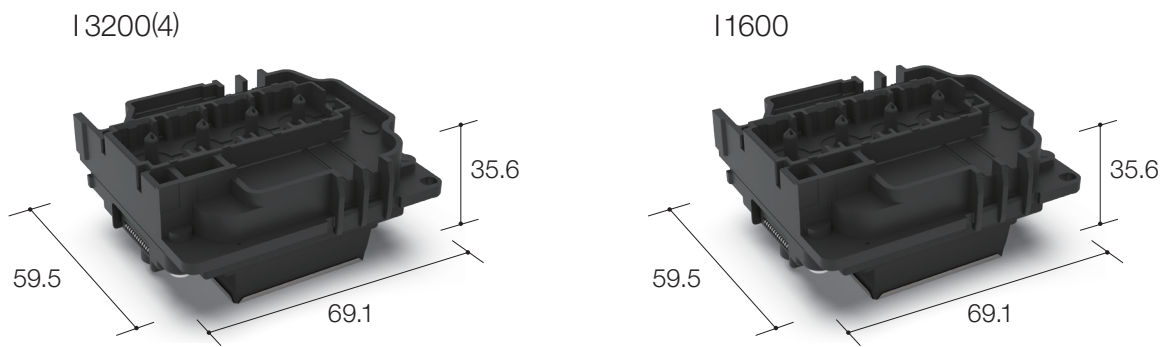
Product Specifications

Product name	I3200(4)-U1	I3200(4)-E1	I3200(4)-A1	I1600-U1	I1600-E1	I1600-A1	
Ink type	UV / Eco Solvent			Aqueous			
Type	PrecisionCore MicroTFP printhead			PrecisionCore MicroTFP printhead			
Width x Depth x Height *	69.1 x 59.5 x 35.6 mm			69.1 x 59.5 x 35.6 mm			
Weight *	80g			80g			
Number of nozzle	3200			1600			
Nozzle pitch / nozzle row	1/300 inch			1/300 inch			
Nozzle rows	8 rows			4 rows			
Nozzle Resolution	300 npi/row 600 npi/2 rows			300 npi/row 600 npi/2 rows			
Max. number of colour inks	4 colours			4 colours			
Effective print width	33.8 mm (1.33 inches)			33.8 mm (1.33 inches)			
Droplet ejection performance *	Binary	5 pl at 43.2 kHz	6 pl at 43.2 kHz	6 pl at 43.2 kHz	5 pl at 43.2 kHz	6 pl at 43.2 kHz	6 pl at 43.2 kHz
	3 levels grey scale	6.0, 12.5 pl at 21.6 kHz	6.3, 12.3 pl at 21.6 kHz	6.3, 12.3 pl at 21.6 kHz	6, 12.5 pl at 21.6 kHz	6.3, 12.3 pl at 21.6 kHz	6.3, 12.3 pl at 21.6 kHz
	4 levels grey scale	3.8, 6.2, 9.3 pl at 21.6 kHz	3.8, 5.5, 8.7 pl at 21.6 kHz	3.8, 6.1, 9.4 pl at 21.6 kHz	3.8, 6.2, 9.3 pl at 21.6 kHz	3.8, 5.5, 8.7 pl at 21.6 kHz	3.8, 6.1, 9.4 pl at 21.6 kHz
Viscosity range *	5.0-7.0 mPa·s	2.2-4.5 mPa·s	2.2-4.5 mPa·s	5.0-7.0 mPa·s	2.2-4.5 mPa·s	2.2-4.5 mPa·s	
Ink recirculation	Not available			Not available			
Internal heater	Not available			Not available			
Positioning Mechanism	Reference hole			Reference hole			

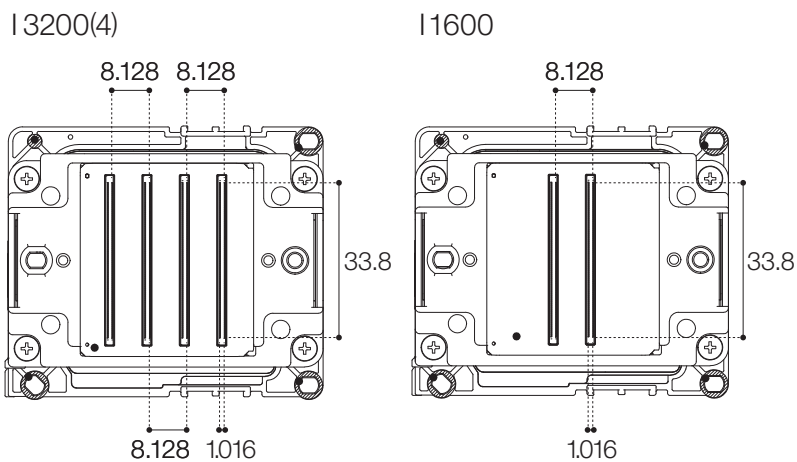
* Epson's unique waveform design allows for a variety of greyscale and droplet size combinations.

* Figures are reference values

Product size (mm)



Nozzle (mm)



External dimensions (mm)

